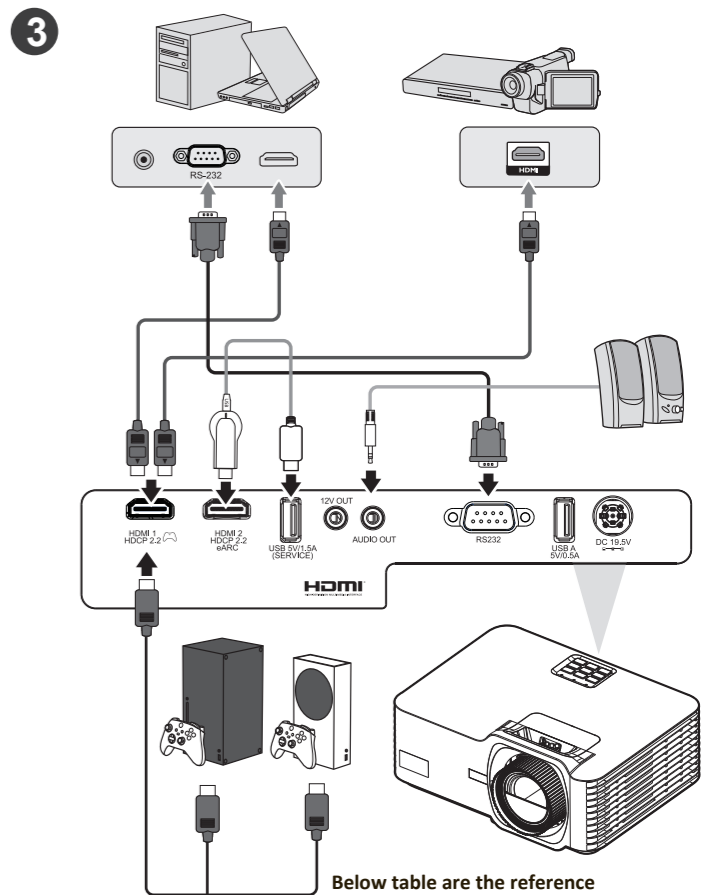
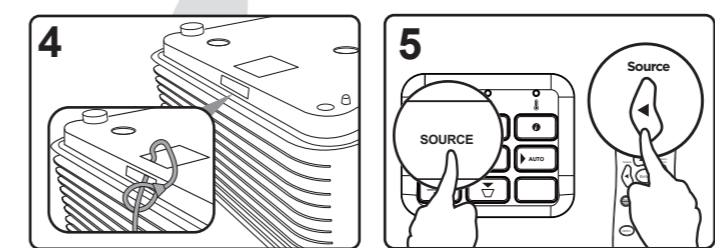
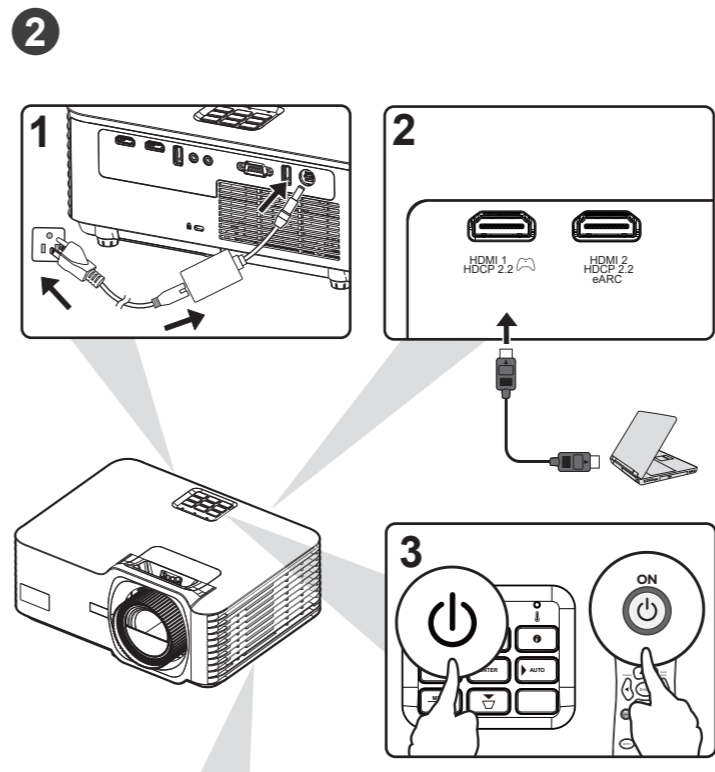
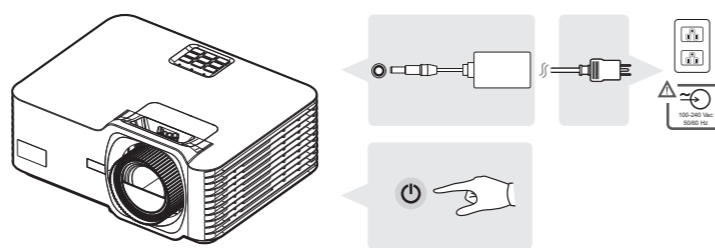
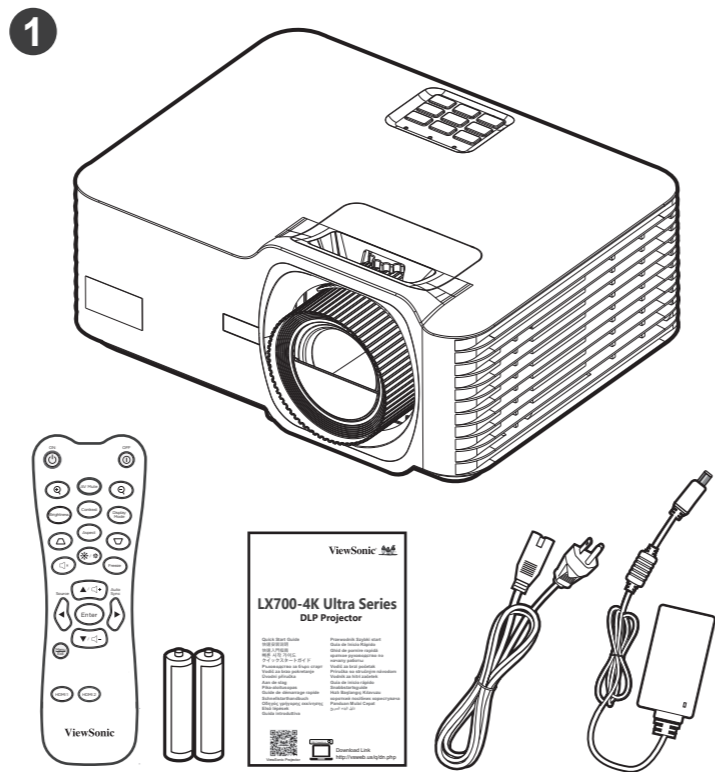


LX700-4K Ultra Series DLP Projector

Quick Start Guide
 快速安装说明
 快速入門指南
 빠른 시작 가이드
 クイックスタートガイド
 Ръководство за бърз старт
 Vodič za brzo pokretanje
 Úvodní příručka
 Aan de slag
 Pika-aloitusopas
 Guide de démarrage rapide
 Schnellstarthandbuch
 Οδηγός γρήγορης εκκίνησης
 Első lépések
 Guida introduttiva

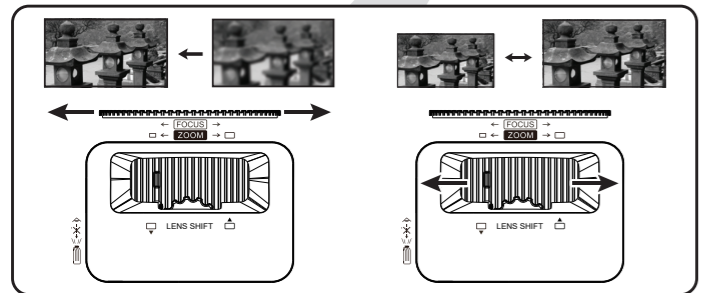
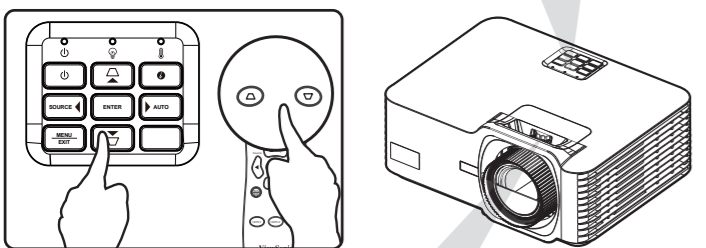
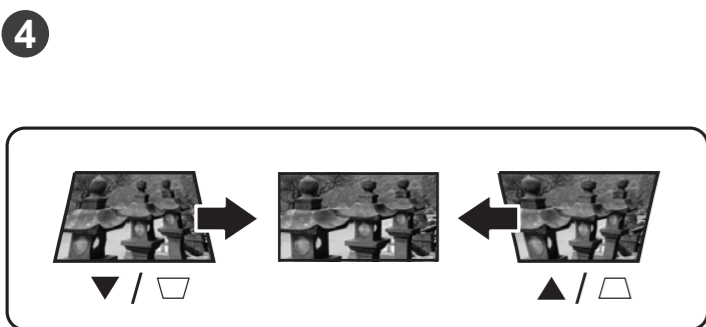
Przewodnik Szybki start
 Guia de Inicio Rápido
 Ghid de pornire rapidă
 краткое руководство по началу работы
 Vodič za brzi početak
 Příručka so stručným návodom
 Vodnik za hitri začetek
 Guia de inicio rápido
 Snabbstartsguide
 Hızlı Başlangıç Kılavuzu
 короткий посібник користувача
 Panduan Mulai Cepat
 دليل البدء السريع



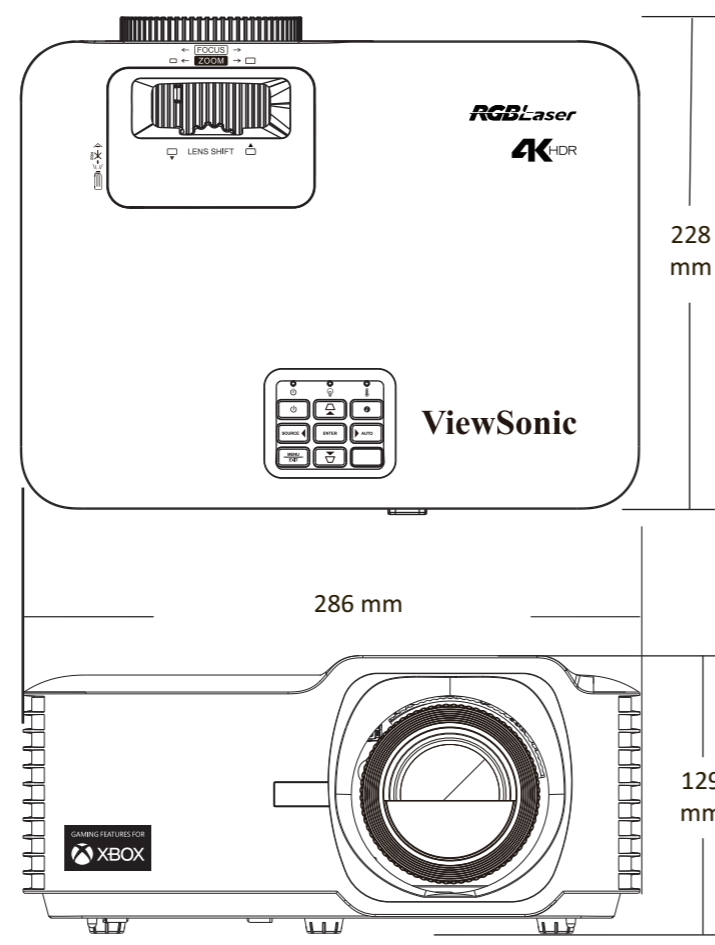
Below table are the reference latency time at different resolutions:

Resolution	Latency Time (ms)	
	Ultra Fast Input: Off	Ultra Fast Input: On
1920x1080@60Hz	33.7 ms	17.2 ms
1920x1080@120Hz	17.1 ms	8.8 ms
1920x1080@240Hz	8.6 ms	4.2 ms
2560x1440@120Hz	16.9 ms	8.6 ms
3840x2160 @120Hz	33.7 ms	16.9 ms

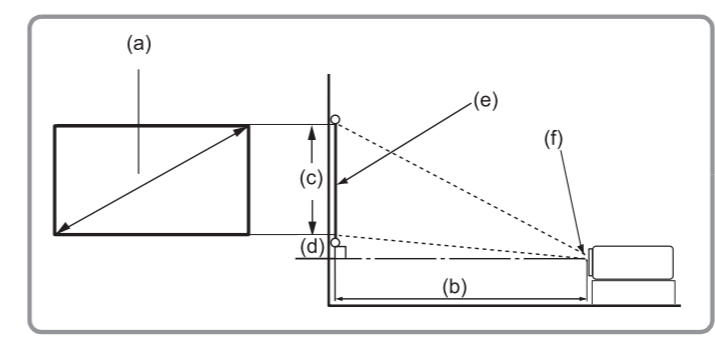
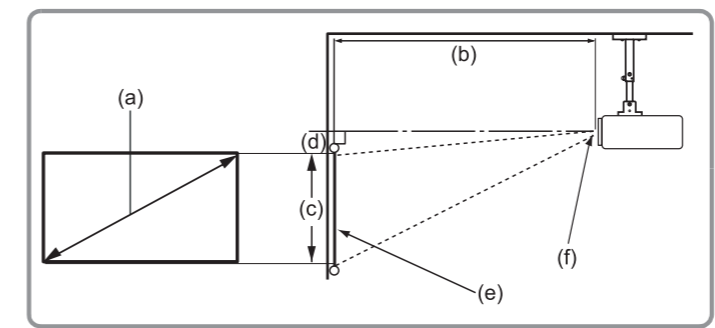
DESIGNED FOR XBOX
 For the lowest possible latency, disable keystone/warp.



5 Mounting Screw: M4 x 8 (Max. L=8 mm)
 Unit: mm



6 •16:9 image on a 16:9 screen



(e) = Screen
 (f) = Center of Lens

(a) Screen Size	16:9 Image on a 16:9 Screen										
	(b) Projection distance		(c) Image height		(d) Vertical offset						
	min.	max.	inch	mm	inch	mm	inch	mm	inch	mm	
30	762	36.61	930	58.57	1488	14.71	374	0.51	13	2.74	69
40	1016	48.81	1240	78.09	1984	19.61	498	0.69	17	3.65	93
50	1270	61.01	1550	97.62	2479	24.51	623	0.86	22	4.56	116
60	1524	73.21	1860	117.14	2975	29.42	747	1.03	26	5.47	139
70	1778	85.41	2170	136.66	3471	34.32	872	1.20	31	6.38	162
80	2032	97.62	2479	156.19	3967	39.22	996	1.37	35	7.30	185
90	2286	109.82	2789	175.71	4463	44.12	1121	1.54	39	8.21	208
100	2540	122.02	3099	195.23	4959	49.03	1245	1.72	44	9.12	232
110	2794	134.22	3409	214.76	5455	53.93	1370	1.89	48	10.03	255
120	3048	146.42	3719	234.28	5951	58.83	1494	2.06	52	10.94	278
130	3302	158.63	4029	253.80	6447	63.73	1619	2.23	57	11.85	301
140	3556	170.83	4339	273.33	6942	68.64	1743	2.40	61	12.77	324
150	3810	183.03	4649	292.85	7438	73.54	1868	2.57	65	13.68	347
200	5080	244.04	6199	390.47	9918	98.05	2491	3.43	87	18.24	463
250	6350	305.05	7748	488.08	12397	122.57	3113	4.29	109	22.80	579
300	7620	366.06	9298	585.70	14877	147.08	3736	5.15	131	27.36	695

It is recommended that if you intend to permanently install the projector, please physically test the projection size and distance using the actual projector in situ before you permanently install it.

